

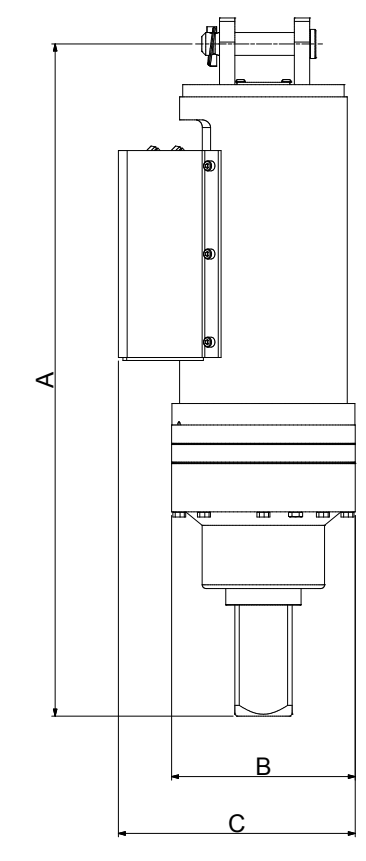
2 SPEED STANDARD FLOW AUGER DRIVES

Suit Machine 3-12 tonne including excavators & skid steer loaders, truck cranes, front end loaders, wheeled loaders and backhoes



Features

- High quality EATON/DIGGA Bell motor
- Highly efficient design, less moving parts, increased efficiency
- Compact, powerful Digga planetary gearbox
- Drive can go down the hole for greater digging depth
- 2 Piece shaft design, lifetime pullout warranty
- Low maintenance with industry leading warranty
- Integrated PRV (Pressure Relief Valve)



Model	PD3- Two Speed	PD6- Two Speed	PD8- Two Speed	PD10 - Two Speed
Min Rec Flow	15 lpm	15 lpm	15 lpm	15 lpm
Max Rec Flow	75 lpm	75 lpm	75 lpm	75 lpm
Max Torque (Nm) @ 240 bar	3,400	4,600	5,600	8,100
Pressure Valve Fitted	Included	Included	Included	Included
Max Pressure (Bar)	205	205	205	205
Max Flow (lpm)	75	75	75	75
Max Kw	25	25	25	25
Overall Length (A) mm	766	877	883	884
Diameter (B) mm	240	240	290	290
Overall Width (C) mm	310	310	342	342
Weight (No linkage and hitch)	75	104	130	130
STD Output Shaft	65mm Round	75mm Square	75mm Square	75mm Square
Swing Control (SCS)	Optional	Optional	Optional	Optional
Diggalign (Auger Alignment)	Optional	Optional	Optional	Optional
Recommended Auger Diameter				
Recommended Auger	A4/RC4	A6/RC6	A6/RC6	A6/RC6
Max Auger Dia Clay/Shale*	600mm	900mm	1000mm	1000mm
Max Auger Dia Earth*	750mm	1000mm	1200mm	1500mm

2 SPEED AUGER DRIVES

Output Speed

FLOW LPM	PD3 - TWO SPEED		PD6 - TWO SPEED		PD8 - TWO SPEED		PD10 - TWO SPEED	
	Hi Torque Low Speed	Low Torque High Speed	Hi Torque Low Speed	Low Torque High Speed	Hi Torque Low Speed	Low Torque High Speed	Hi Torque Low Speed	Low Torque High Speed
15	14	28	10	20	8	17	6	12
20	19	37	14	27	11	23	8	16
25	23	47	17	34	14	28	10	20
30	28	56	20	41	17	34	12	23
35	33	65	24	48	20	40	14	27
40	37	74	27	55	23	45	16	31
45	42	84	31	61	25	51	18	35
50	47	93	34	68	28	57	20	39
55	51	102	38	75	31	62	22	43
60	56	112	41	82	34	68	23	47
65	61	121	44	89	37	73	25	51
70	65	130	48	96	40	79	27	55
75	70	140	51	102	42	85	29	59

Output Torque

PRESSURE BAR	PD3 - TWO SPEED		PD6 - TWO SPEED		PD8 - TWO SPEED		PD10 - TWO SPEED	
	Hi Torque Nm	Low Torque Nm	Hi Torque Nm	Low Torque Nm	Hi Torque Nm	Low Torque Nm	Hi Torque Nm	Low Torque Nm
95	1651	826	2252	1126	2721	1360	3932	1966
105	1769	885	2413	1206	2915	1485	4213	2107
115	2005	1003	2734	1367	3304	1652	4775	2388
125	2123	1062	2895	1448	3498	1749	5056	2528
135	2359	1180	3217	1608	3887	1944	5618	2809
145	2477	1238	3378	1689	4081	2041	5899	2949
155	2713	1356	3699	1850	4470	2235	6460	3230
165	2931	1415	3860	1930	4664	2332	6741	3371
175	2949	1474	4021	2011	4859	2429	7022	3511
185	3067	1533	1482	2091	5053	2527	7303	3652
185	3185	1592	4343	2171	5247	2624	7584	3792
195	3303	1651	4504	2252	5442	2721	7865	3932
205	3421	1710	4664	2332	5636	2818	8146	4073

Output speed and torque specifications are THEORETICAL. Speed and torque output are dependent on the overall system efficiencies associated with the prime movers hydraulic system. This document should be used for information and comparative purposes only. When determining criteria, & application specific information is required, please contact DIGGA.